

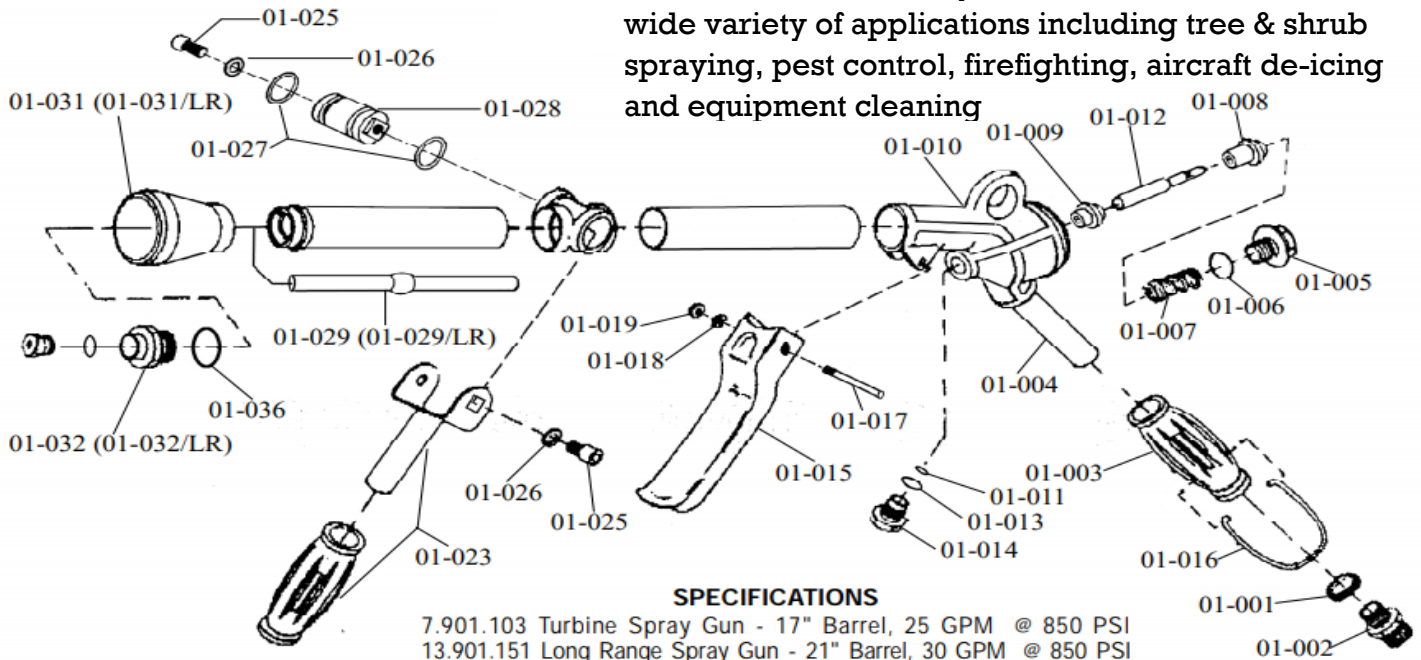


866-448-5547

www.epasales.com

Washdown Gun Repair Chart

High Performance Spray Guns have a spray pattern that is adjustable from a concentrated 0° straight stream to a 60° fine mist cone. They are an excellent choice for a wide variety of applications including tree & shrub spraying, pest control, firefighting, aircraft de-icing and equipment cleaning



SPECIFICATIONS

7.901.103 Turbine Spray Gun - 17" Barrel, 25 GPM @ 850 PSI
 13.901.151 Long Range Spray Gun - 21" Barrel, 30 GPM @ 850 PSI

PART#	DESCRIPTION	QTY	PART#	DESCRIPTION	QTY
01-001	Washer	1	01-017	Trigger Pin	1
01-002	Inlet Adapter	1	01-018	Washer	1
01-003	Handle	1	01-019	Nut	1
01-004	Inlet Tube	1	01-023	Front Grip Assembly	1
01-005	Plug	1	01-025	Bolt	2
* 01-006	O-Ring	1	01-026	Washer	2
01-007	Spring	1	* 01-027	O-Ring	2
* 01-008	Poppet	1	01-028	Regulator	1
* 01-009	Seat	1	01-029	Inner Tube	1
01-010	Body	1	01-029/LR	Inner Tube - Long Range	1
* 01-011	O-Ring	1	01-031	Nozzle Protector	1
01-012	Plunger	1	01-031/LR	Nozzle Protector - Long Range	1
* 01-013	O-Ring	1	01-032	Nozzle Retainer	1
01-014	Guide	1	01-032/LR	Nozzle Retainer - Long Range	1
01-015	Trigger	1	* 01-036	O-Ring	1
01-016	Trigger Clip	1	* Parts included in repair kit # Kit 10/11		1

SPRAY TIP PERFORMANCE CHART (High Performance Spray Guns) - Gallons Per Minute / Maximum Throw in Feet

PART #	Orifice (mm)	Material	100 PSI	200 PSI	400 PSI	600 PSI	800 PSI
68.1802.54	2.3	Ceramic	2.0 / 24	2.5 / 29	4.0 / 34	5.0 / 42	5.5 / 45
68.1802.16	2.5	Ceramic	2.5 / 23	3.0 / 28	4.5 / 32	5.5 / 40	6.5 / 44
68.1802.17	3.0	Ceramic	3.0 / 28	4.5 / 29	6.5 / 34	8.0 / 41	9.0 / 4
13.1802.73	3.5	S/S	4.5 / 31	6.0 / 36	8.5 / 41	11.0 / 50	12.0 / 54
13.1802.58	4.0	S/S	5.0 / 35	7.5 / 38	10.0 / 43	13.5 / 53	14.5 / 59
13.1802.59	4.5	S/S	6.5 / 37	9.0 / 39	12.5 / 44	16.5 / 54	18.0 / 62
13.1802.60	5.0	S/S	7.5 / 33	10.0 / 41	14.0 / 47	18.5 / 59	21.0 / 67
13.1802.61	5.5	S/S	8.0 / 35	11.5 / 42	16.0 / 47	21.0 / 59	23.0 / 70
13.1802.75	6.0	S/S	9.0 / 38	12.5 / 44	18.0 / 54	23.0 / 66	26.0 / 74
13.1802.74	7.0	S/S	9.5 / 21	13.5 / 47	19.0 / 57	24.0 / 70	27.0 / 77